

## Provide these Tooling SPECIFICATIONS

### FACE GROOVE TYPE:

- Flat Face     Shoulder Face  
 Internal     Angled

### SPINDLE ROTATION: (Looking at spindle face)

- Clockwise     Counter-Clockwise

WIDTH ('A'): \_\_\_\_\_  
 (.004" minimum suggested)

DEPTH OF CUT ('B'): \_\_\_\_\_  
 (as required)

MAJOR DIAMETER ('C'): \_\_\_\_\_  
 (.200" minimum suggested)

DEPTH INTO BORE ('D'): \_\_\_\_\_  
 (as required)

ANGLE ('E'): \_\_\_\_\_  
 (as required)

MATERIAL BEING MACHINED: \_\_\_\_\_

### COATING OPTIONS:

- TiN     TiCN  
 TiAlN     Diamond

### TOOLHOLDER OPTIONS:

- Square     Straight     Right Hand    Shank  
 Round     90°     Left Hand    Size: \_\_\_\_\_

Submitting this form will generate a quotation within 48 hours which will include price, delivery and CAD drawing(s) for your review and approval. If you would like additional assistance include your application print or sketch.

Return quotation to:

Name: \_\_\_\_\_

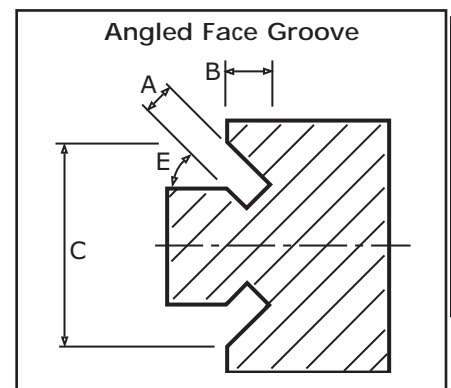
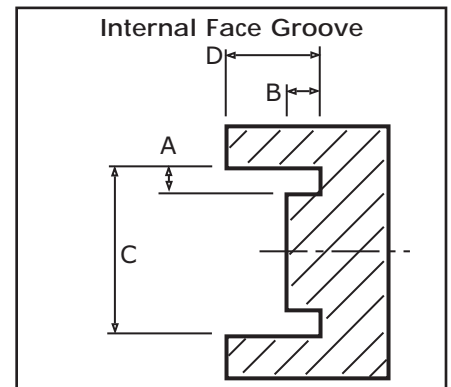
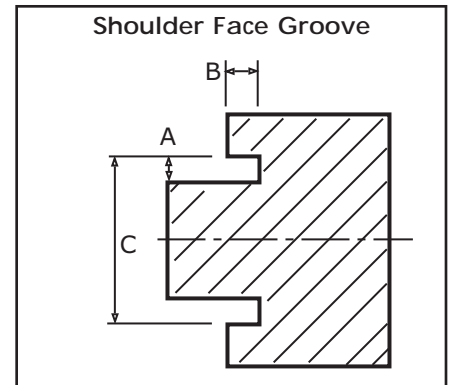
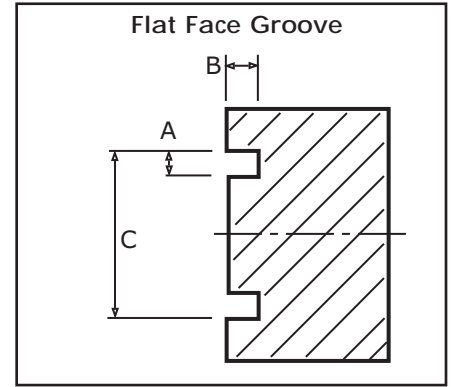
Company: \_\_\_\_\_

Address: \_\_\_\_\_

Phone: (\_\_\_\_) - \_\_\_\_ - \_\_\_\_\_

Fax: (\_\_\_\_) - \_\_\_\_ - \_\_\_\_\_

Email Address: \_\_\_\_\_



MODIFICATIONS

M

## KAISER TOOL COMPANY, INC.