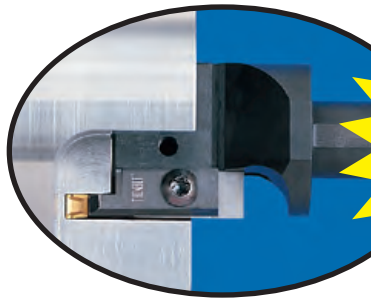


## Internal Face Grooving Tools

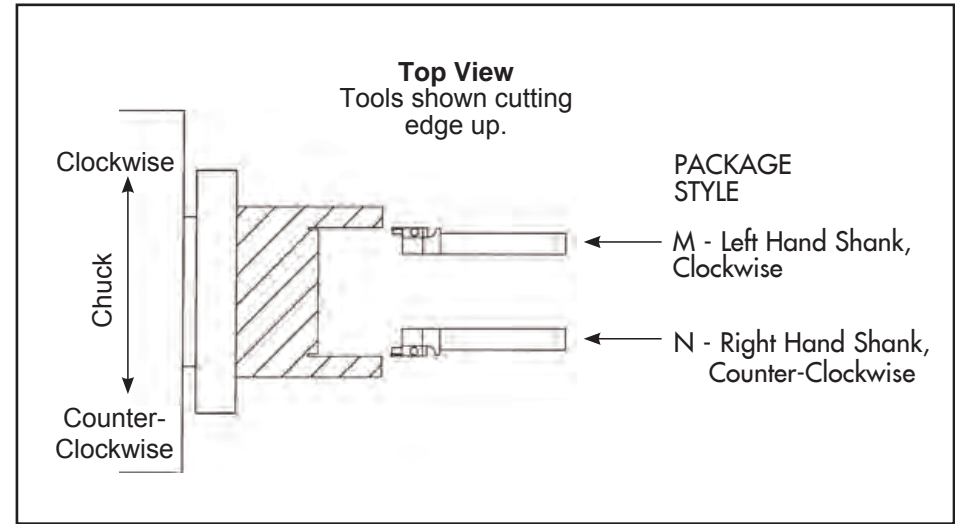
- Internal face grooving for diameters 1.574" and larger with depth of cut to 1"
- Modular tooling system will also accept OD and external face grooving heads

Now Available in 4 Shank Sizes!



**NEW  
PRODUCT  
2015!**

- 3/4"
- 1"
- 20mm
- 25mm



SPECIFICATIONS			ORDER CODE										
Insert Width	Depth of Cut	Package Style	Toolholder Package Includes Shank, Head, Clamp and Hardware				Inserts Use Inserts Beginning With	Replacement Parts					
			3/4" Shank 7" Long	1" Shank 7" Long	Metric Shank 20mm	Metric Shank 25mm		Head	Head Hardware	Shank 34 = 3/4" 01 = 1" 20 = 20mm 25 = 25mm	Clamp	Clamp Hardware	
2mm (.078")	13mm (1/2")	M	DGPM201334 __	DGPM201301 __	DGPM201320 __	DGPM251325 __	'DG12' (page 6-1)	DGH52013 __	Screw: 2 each S7552  Wrench: W4025	DGS__ZL	DGC52013	Screw: S6552  Wrench: W4025	
		N	DGPN201334 __	DGPN201301 __	DGPN201320 __	DGPN251325 __		DGH62013 __		DGS__ZR	DGC62013		
3mm (.118")	13mm (1/2")	M	DGPM301334 __	DGPM301301 __	DGPM301320 __	DGPM301325 __	'DG13' (page 6-1)	DGH53013 __		DGS__ZL	DGC53013		
		N	DGPN301334 __	DGPN301301 __	DGPN301320 __	DGPN301325 __		DGH63013 __		DGS__ZR	DGC63013		
4mm (.157")	13mm (1/2")	M	DGPM401334 __	DGPM401301 __	DGPM401320 __	DGPM401325 __	'DG14' (page 6-1)	DGH54013 __		DGS__ZL	DGC54013		
		N	DGPN401334 __	DGPN401301 __	DGPN401320 __	DGPN401325 __		DGH64013 __		DGS__ZR	DGC64013		
	20mm (3/4")	M	DGPM402034 __	DGPM402001 __	DGPM402020 __	DGPM402025 __		DGH54020 __		DGS__ZL	DGC54020		
		N	DGPN402034 __	DGPN402001 __	DGPN402020 __	DGPN402025 __		DGH64020 __		DGS__ZR	DGC64020		
5mm (.197")	13mm (1/2")	M	DGPM501334 __	DGPM501301 __	DGPM501320 __	DGPM501325 __	'DG15' (page 6-1)	DGH55013 __		DGS__ZL	DGC55013		
		N	DGPN501334 __	DGPN501301 __	DGPN501320 __	DGPN501325 __		DGH65013 __		DGS__ZR	DGC65013		
	25mm (1")	M	DGPM502534 __	DGPM502501 __	DGPM502520 __	DGPM502525 __		DGH55025 __		DGS__ZL	DGC55025		
		N	DGPN502534 __	DGPN502501 __	DGPN502520 __	DGPN502525 __		DGH65025 __		DGS__ZR	DGC65025		
6mm (.236")	13mm (1/2")	M	DGPM601334 __	DGPM601301 __	DGPM601320 __	DGPM601325 __	'DG16' (page 6-1)	DGH56013 __	DGS__ZL	DGC56013			
		N	DGPN601334 __	DGPN601301 __	DGPN601320 __	DGPN601325 __		DGH66013 __	DGS__ZR	DGC66013			
	25mm (1")	M	DGPM602534 __	DGPM602501 __	DGPM602520 __	DGPM602525 __		DGH56025 __	DGS__ZL	DGC56025			
		N	DGPN602534 __	DGPN602501 __	DGPN602520 __	DGPN602525 __		DGH66025 __	DGS__ZR	DGC66025			

**MADE IN  
THE USA?  
DAMN RIGHT.**

Major Diameter Range	Code
1.574"-1.968" (40-50mm)	45
1.968"-2.362" (50-60mm)	56
2.362"-2.952" (60-75mm)	67
2.952"-3.937" (75-100mm)	71
3.937"-5.905" (100-150mm)	11
5.905"-11.811" (150-300mm)	13
11.811"-∞ (300mm-∞)	30